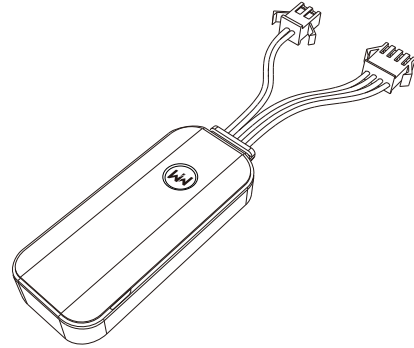
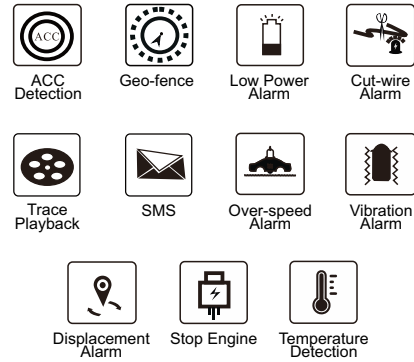


# PICTOR® GPS TRACKER USER MANUAL

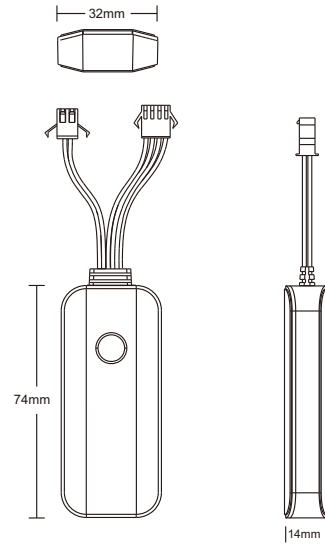


Please read the installation instruction manual carefully before installation and use.

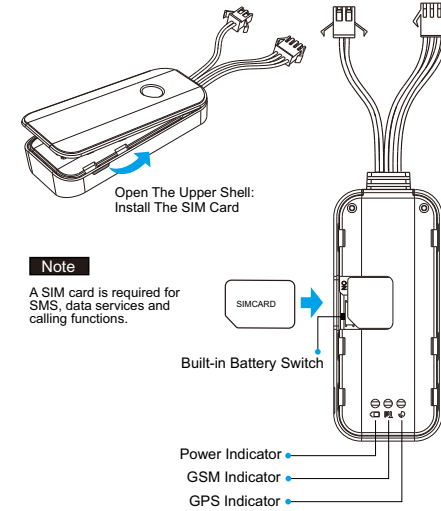
## 1 Product Features



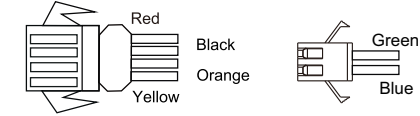
## 2 Product Size



## 3 Sim Installation



## 4 WireConnection



### 4.1 Terminal Description

Status	Meaning
Red	Positive(9-90V)
Black	Negative
Orange	ACCLine
Yellow	Relay
Green	Temperature sensor line
Blue	

### 4.2 Red LED Light (Power Supply Status)

Status	Meaning
Slow Blink	Normal(internal battery supply)
Long Bright	Normal(internal battery supply)
Off	Broken or Sleeping

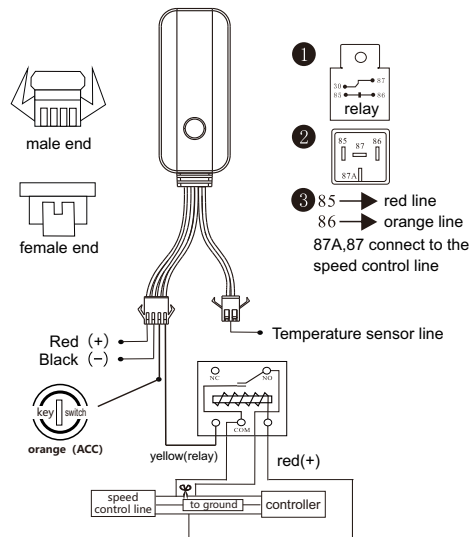
### 4.3 Yellow LED Light (GSM Status)

Status	Meaning
Quick Blink	Searching GSM signal
Slow Blink	Normal working
Off	GSM searching failed or sleeping

### 4.4 Blue LED Light (GPS Status)

Status	Meaning
Quick Blink	Searching GPS signal
Slow Blink	Normal working
Off	GPS searching failed or sleeping

## 5 Installation



- Red line connects the positive pole of power supply (+).
- Black line connects the negative pole of power supply (-).
- Orange line connects ACC line of the vehicle.
- Yellow line connects the relay
  - How to connect the relay
  - 1. find the speed control line
  - 2. detect the voltage of the speed control line by electroprobe
  - 3. cut the speed control line
  - 4. connect the two green lines of the relay to the speed control line

Note:

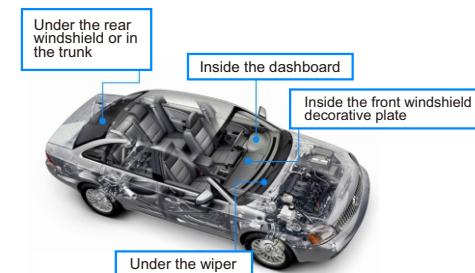
- Please use the correct relay, different types of vehicles are fitted with relays with different voltages.
- Open SIM card cover, insert SIM card and turn on battery supply.
- The SIM card must have GPRS and SMS services.
- Make sure the LED lights are on and there is no metal blocking device.
- Please fix it by cable ties or tape.

## 6 Product Installation

If you do not know how to install, it is recommended that you can seek the assistance of an experienced installer.

Installation Precautions:

- Device should be installed where it is easy to hide and dry.
- Make sure the indicator lights are up.
- Ensure device light in the front and there is no shield before install.
- Secure with a cable tie or sponge double-sided tape.



## 7 Working Description

- After connected with vehicle battery, device will be turned on automatically and power indicator light (red) will be normally on.
- If the device is using its own back up battery, the power indicator light (red) will slowly blink after turned on manually.
- GSM signal light (yellow) and GPS signal light(blue) start fast blinking.
- A few seconds later both GSM light and GPS light will be steady and start slow blinking, device working normally.

## 8 Trouble Shooting

Problem	Description	Solution
Failed to connect the internet	SIM card not installed	Check the SIM card
	Sim card not installed properly	Install again
	No GSM network	Move the device in GSM network area
	Weak GSM network	Move the device in strong GSM network area
Location failed	SIM card has no GPRS functions	Contact SIM card supplier to activate the GPRS function
	Always reply "failed to get location"	Contact the supplier
No GPS location	Some poor signal areas like basement, tunnels are not able to acquire GPS signals	Move the device to open sky areas
No AC Show	No update of AC status	Please check AC line connection
No Door Show	No update of Door status	Please check Door line connection

## 9 Access to Platform

- Platform([www.iopgps.com](http://www.iopgps.com))
- Android and iOS APP(Scan the qr code to download app)



There are two methods to login in the platform or app.

- Login by IMEI number(the 15 digits in the back of the device), password: the last 6 digits of imei number.
- Contact the supplier to create an account for you.