

# TEMP-01 Specification

TEMP-01 | Industrial Wireless LoRa Temperature Sensor

Precision Cold Chain Monitoring with Deep-Signal Penetration

This product supports:

- 1.IP67
- 2.Low-Power
- 3.LoRa
- 4.Precise to 0.5°C
- 5.Configurator



## Technical

System	<ul style="list-style-type: none"> <li>• RTOS</li> </ul>
Sensor Type	<ul style="list-style-type: none"> <li>• Temperature sensor</li> </ul>
Application	<ul style="list-style-type: none"> <li>• Temperature measurement</li> </ul>

## Features

Service Life	<ul style="list-style-type: none"> <li>• 5 year (based on 300s interval)</li> </ul>
LoRa Frequency	<ul style="list-style-type: none"> <li>• 868MHz/915MHz</li> </ul>
Detection cycle	<ul style="list-style-type: none"> <li>• 60s</li> </ul>
Upload cycle	<ul style="list-style-type: none"> <li>• 1,440 times per day</li> </ul>
Detection Precision	<ul style="list-style-type: none"> <li>• 80°C : ±0.5~1°C</li> <li>• -20°C : ±1°C</li> <li>• -30°C : ±1.5°C</li> <li>• -30°C to -40°C : ±2°C</li> </ul>

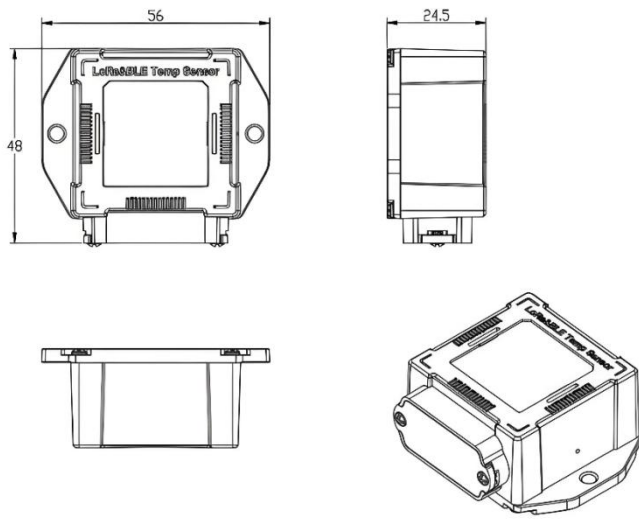
## Physical & Interface Specifications

Product Dimensions	<ul style="list-style-type: none"> <li>• L 56* W 48* H 24.5mm</li> </ul>
Weight	<ul style="list-style-type: none"> <li>• 47g</li> </ul>
Working Temperature	<ul style="list-style-type: none"> <li>• -30°C to 70°C</li> </ul>
Storage Temperature	<ul style="list-style-type: none"> <li>• -30°C to 80°C</li> </ul>
Ingress Protection Rating	<ul style="list-style-type: none"> <li>• IP67</li> </ul>
Interface	<ul style="list-style-type: none"> <li>• Type-C port</li> </ul>
Color	<ul style="list-style-type: none"> <li>• Black</li> </ul>

## Power Consumption

Operating Power	<ul style="list-style-type: none"> <li>• 1500mAh Li-Mn dry battery</li> </ul>
Power Consumption	<ul style="list-style-type: none"> <li>• @3V 22mA(Working Mode)</li> <li>• @3V 4uA(Standby Mode)</li> </ul>

## Appearance



## Regulatory Compliance

Certification	• CE,FCC
Product Code	• TEMP-01