

PT06

SMART GPS TRACKER FOR BIKES & CARS

PT06, GPS Vehicle Tracker is equipped with a high sensitivity GPS chip and is super fast in getting data online. It can work from 9v to 90v voltage and can cut off engine remotely. A smart and secure GPS tracker, optimized for all types of users to track with ease and convenience.

This product is suitable for automobiles like cars, bikes and others. It comes with an extended warranty and chip resolution. It is comparatively light-weighted and compact. **PT06** is the largest selling product that is 100% owned by Pictor Telematics, the leading incubator and Domain Expert in GPS based tracking solutions.



Here are some of the **PT06**'s salient features: -

Real Time Tracking & History Playback: This feature helps the user to track the vehicles at its exact time and location; history playback lets you revisit vehicle's history of where it has been in the past few days/months.

Smart (Adaptive Cruise Control) Acc Detection: : This feature helps the user to get alert of vehicle power ON/OFF.

Mileage Data: This feature helps the user to get mileage data of vehicle.

Supports 9-90V: This feature implies that the tracking device is compatible with a wide range of input voltage.

Remotely Cut-Off Petrol/Electricity: This feature enables the user to cut-off fuel and power to the vehicle, when he/she finds any abnormality.

Wire Cut : This feature helps the user to get alert of wire of GPS device is cut.

Vibration Alert: This feature helps the user to get alert on vehicle vibration.

Flash Memory-: Flash Memory lets the device store data up to 4MB.

IP 65 resistance & Dustproof: This ensures the user that the tracker is water resistant and dustproof in all kinds of situation.

Product Lifespan **2 years**

GPS Accuracy **Strong**

User Rating **★★★★★**

TO BUY THIS PRODUCT



SCAN THIS QR CODE



www.pictortelematics.in



www.pictormart.in



PRODUCT CATALOGUE

PICTORTM
#BeyondTracking

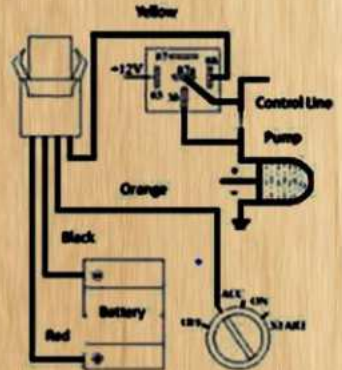
PT06

SMART GPS TRACKER FOR BIKES & CARS

Scan QR Code



To View Product Video



Specifications

GPS Chip	MTK6261D
Dimension	72(L)*30(W)*12(H)
GSM Frequency	850/1900 or 900/1800MHZ
GPRS	Class12.TCP/IP build in GSM Module
Chanel	20
Acquisition Sensitivity	-144dBm
Tracking Sensitivity	-160dBm
Voltage Input	9~90V
Locating Time	Hot<2SEC(Open Sky) Warm<15SEC Cold<38SEC(Open Sky)
GSM Antenna	Antenna spring
GPS Antenna	Built in 18mm*18mm*4mm ceramic chip antenna
Power Button	YES
Vibration Sensor	YES
Oil/electricity Cut Off	YES
ACC Detection	YES
Power Satus Indication Light	RED
GPS Light	BLUE
GSM Light	GREEN
Built-In Battery	YES
Battery Capacity	80mA
Data Uploading Port	NO
Function Port	NO



Registering & Activation of Your Device

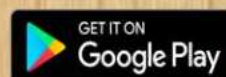
Registering your Device VIA Web: Visit our corporate website www.pictortelematics.in, enter your personal details, device purchasing details and IMEI No (you can find it in your device outer /inner case).

Registering your Device VIA Mobile App: Scan QR Code to download Mobile App from Google Playstore or Apple istore.

Download Mobile App: Go to google playstore <https://play.google.com/store>, Search **Pictor GPS** and download it on your smart phone, if you are using Android Phone.



Activation of your Device: You need to insert 2G SIM into your GPS Device, which may be Pre Paid or Post Paid from Leading Telcom Providers like **Airtel** or **Vodafone**, if you are living in India.





Device Installation Through Guided Videos

You may consult local experts of your area to install GPS Devices into your vehicle. You can also take help from our list of recommended videos, which are created by experts himself. Visit www.pictortelematics.in/installation-video.html



You can also contact us for expert location in your area by calling our Toll Free **1800 123 2632**

Monitor & Track your Vehicle Through Next Generation Mobile App

This app contains the functions of real-time vehicle positioning, track playback and alarm viewing, which can be used to view the location and condition of the vehicle in real time.

A great tool for the complete overview of your vehicle movements. Other benefits include Access instant location and status information about your vehicle, Manage your vehicle quickly, easily and more efficiently, Improve security by overviewing your vehicles, machinery, and tools at any time



PICTOR TELEMATICS PVT. LTD. is a GPS tracking solutions company providing Internet-based access and integration to LIVE vehicle tracking and asset management.

The company offers innovative GPS Tracking solutions through smart GPS Devices for Cars, Scooters, Bikes, Trucks, Buses & other commercial vehicles.

Affiliated & Acknowledged by



Ask for
Certificate of Warranty
Free for All Registered Members
(Please visit our website to get your product registered)

(+91) 011-43016552 Toll Free No. 1800 123 2632

info@pictortelematics.com



www.pictortelematics.in