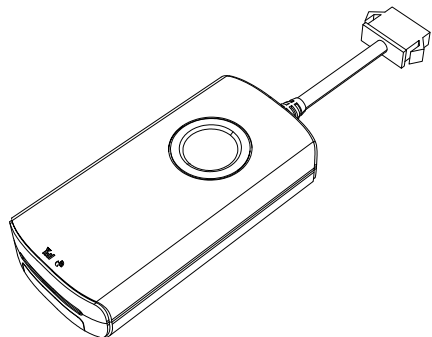


GPS TRACKER

USER MANUAL



Please read the instruction manual carefully before installation and use.

1 Product Parameters & Functions

1.1 Product Parameters

Item	Name	Specification
Main Features	Size	80x39x17mm
	Battery	80mAh
	Voltage Range	9V-90V
GPS	GPS Fixed Time	Hot<1sec (Open Sky)
		Cold<32sec(Open Sky)
	Positioning Accuracy	< 10m

1.2 Accessories List

Item	Unit	Qty
Device	Pc	1
Manual	Pc	1
Wiring harness	Pc	1

2 Product Features



ACC Detection



Geo-fence



Low Battery Alarm



Trace Playback



Real-time Tracking



Remotely Stop Engine

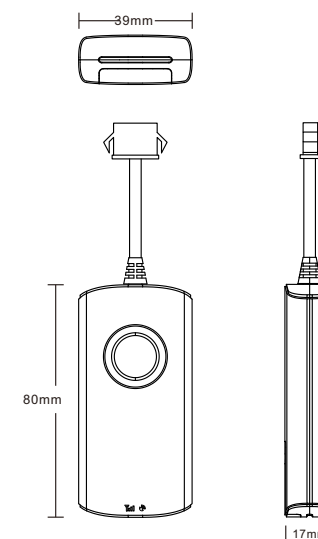


Cut-wire Alarm

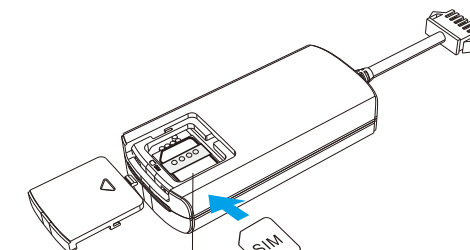


SOS Emergency

3 Product Size



4 Sim Installation



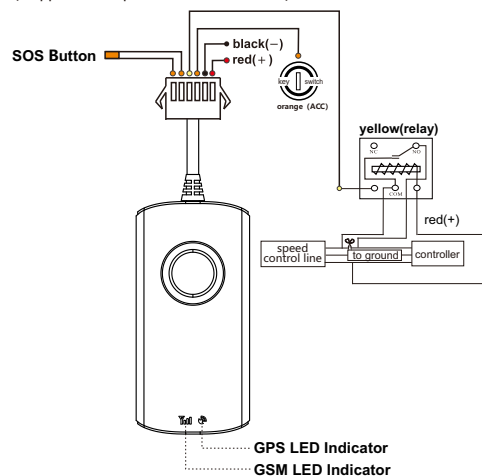
SIM Card Slot
After the SIM card is inserted, the device starts up automatically.

NOTE A SIM card is required for SMS, data services and calling functions(Calling needs phone card).

5 Wire Connection

Note

Long press SOS button more than 3s, it will push emergency alarm.
(Support serial port extension function)



6 LED Indicator

LED type	LED status	Meaning
Yellow Light	Slow flash	GSM initialization
	Steady	GSM communication normal
	No Light	GSM is in sleep mode/shut down
Blue Light	Slow flash	Searching for satellite signal
	Steady	GPS is located
	No Light	GPS is in sleep mode

7 Product Installation

If you do not know how to install, it is recommended that you can seek the assistance of an experienced installer.

Installation Precautions

- The device should be installed in a waterproof and dry place.
- Please insert SIM card before connecting power and switching ON.
- Make sure lights is up and there is no metal blocking.
- Secure with a cable tie or sponge double-sided tape.

8 Quick Operation Instructions

1.APN setting

To ensure GPRS is active, please make sure APN is correct. You can send SMS command to set APN.
APN command
Format: **APN123456 APN's Name**
Eg: **APN123456 internet**
(*internet' is the APN of carrier)

2.Server Setting

Default platform is www.wanwaygps.com
Connect the device to another platform, please send the SMS command to change the server IP:

Domain setting
Format: **IP Domain Port**

3.Check Param Setting

You can check the parameter setting by command: CXZT
Eg: CXZT

Reply Content includes:
ID, IP, APN, ACC, GPRS, GPS, etc.

9 Working Description

- Turn on the switch after inserting SIM card and connect the device to the vehicle power, and then the indicator lights will start blinking.
- If the device is using its own built-in battery, the power indicator light (red) will slowly blink after turning on manually.
- A few seconds later both GSM light and GPS light will be steady and device will enter into normal working status.

10 Trouble Shooting

Problem	Description	Solution
Failed to connect the internet	SIM card not installed	Check the SIM card
	SIM card not installed properly	Install again
	No GSM network	Move the device to the GSM network area
	Weak GSM network	Move the device to strong GSM network area
Location failed	SIM card has no GPRS functions	Contact SIM card supplier to activate the GPRS function
	Always reply "failed to get location"	Contact the supplier
No GPS location	Some poor signal areas like basement, tunnels are not able to acquire GPS signals	Move the device to open sky areas

11 Access to Platform

- Platform(www.wanwaygps.com).
- Android and iOS APP(Scan the qr code to download APP).



There are two methods to log in to the platform or APP.

- Login by IMEI number(the 15 digits in the back of the device), password: the last 6 digits of IMEI number.
- Contact the supplier to create an account for you.