

CAR GPS TRACKER – P19S



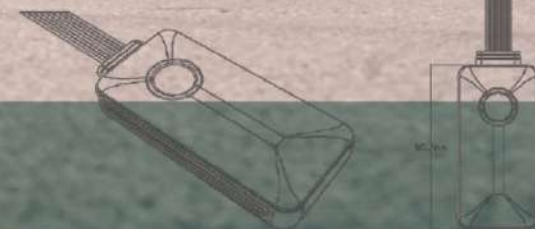
Multiple Functions, Multiple Protection

Main Functions:

- GSM 850/900/1800/1900 Supported
- Remotely Cut-off Petrol/Electricity
- Vibration Alarm, Cut-wire Alarm, ACC Detection
- Connect to MIC and SOS Button



Car gps tracker **P19S** is designed to allow vehicle owners to track the location of their properties over smart phones and provide real-time car tracking for individual vehicles or entire fleets.



CAR GPS TRACKER – P19S

P19S is a functional GPS tracking device. Integrated GSM technology, GPS technology, built-in antenna and sensors, it has functions like ACC detection, vibration alarm, cut-off petrol/electricity. If connected with SOS button and Micro-phone, the user can send SOS information to preset numbers in dangerous situation and his family can hear what is happening around. Its large voltage input makes it fit for car, truck, taxi and motorcycle.

HIGHLIGHT



Remotely Stop Car Engine



Remotely Voice Monitoring



Geo-fence Setting

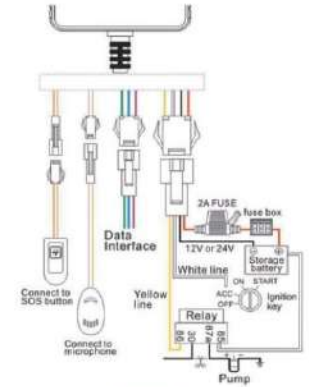


500 Points History Trace Data Stored When No GSM



FUNCTIONS

- ◆ Global General GSM Quad Band Supported
- ◆ Real-time Tracking and History Playback
- ◆ ACC or Ignition Detection
- ◆ Remotely Cut-off Petrol/Electricity
- ◆ With SOS Button and MIC Connection
- ◆ Vibration Alarm, Cut-wire Alarm, Displacement Alarm
- ◆ 500 Points History Trace Data Stored when no gsm
- ◆ History Playback for 180 Days
- ◆ Three Working Mode: SMS Command, Platform, APP



PARAMETERS

GPRS: Class 12/TCP/IP
 Working Voltage: 9-90V
 GPS Chipset: MT2503D
 GPS Channel: 20
 Tracking Sensitivity: -165dBm
 GPS Fixed Time: Cold Start<38s(Open Sky)
 Warm Start<15s
 Hot Start<2s
 Battery: 250mAh
 Working Temperature: -20℃+70℃
 Size: 82mm(L) x 39mm(W) x 14mm (H)
 Weight: 50g
 LED Indicators: Green(GPRS), Blue(GPS)

