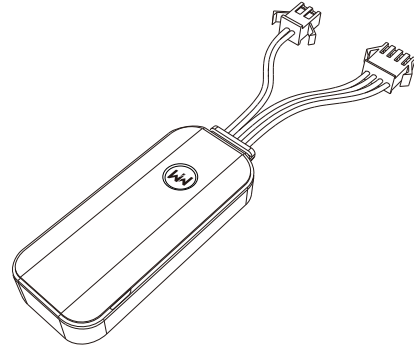
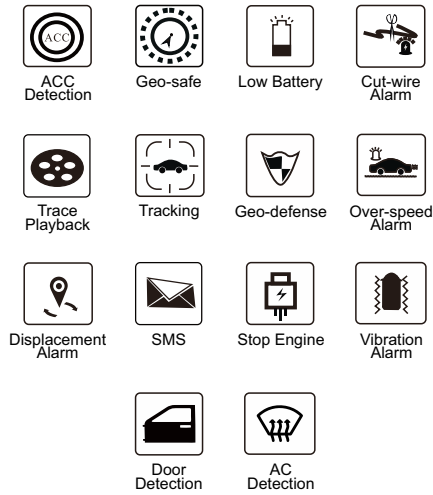


GPS TRACKER USER MANUAL

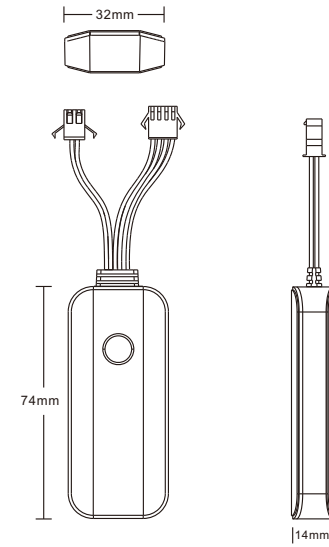


Please read the installation instruction manual carefully before installation and use.

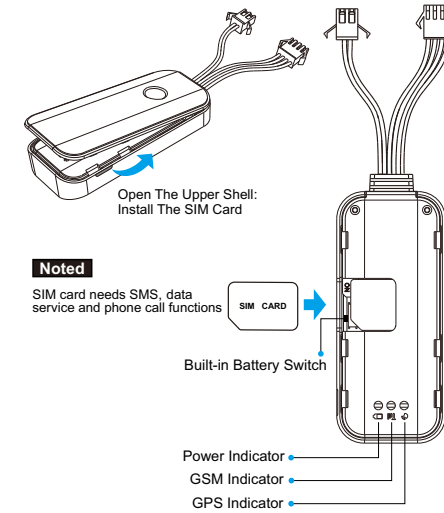
1 Product Features



2 Product Size



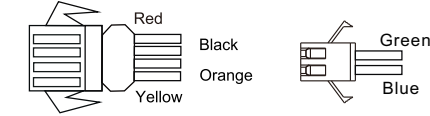
3 Sim Installation



Noted

SIM card needs SMS, data service and phone call functions

4 Wire Connection



4.1 Terminal Description

Status	Meaning
Red	Positive(9-90v)
Black	Negative
Orange	ACC line
Yellow	Relay
Green	Door
Blue	AC

4.2 Red LED Light (Power Supply Status)

Status	Meaning
Slow Blink	Normal(internal battery supply)
Long Bright	Normal(internal battery supply)
Off	Broken or sleeping

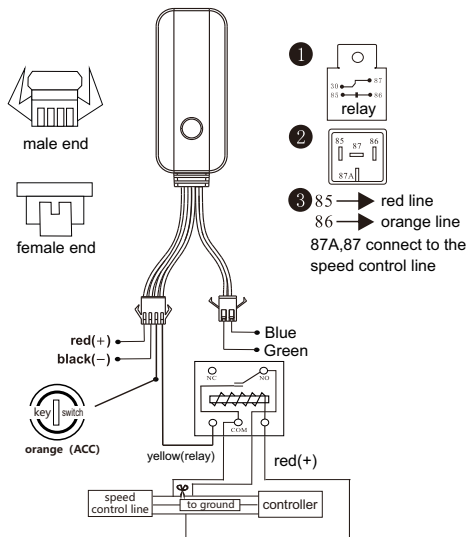
4.3 Yellow LED Light (GSM Status)

Status	Meaning
Quick Blink	Searching GSM signal
Slow Blink	Normal working
Off	GSM searching failed or sleeping

4.4 Blue LED Light (GPS Status)

Status	Meaning
Quick Blink	Searching GPS signal
Slow Blink	Normal working
Off	GPS searching failed or sleeping

5 Installation



- Red line connects battery positive pole(+) black line connects battery negative pole(-).
- Orange line connects ACC line.
- Wring for cut-off oil function:
 - Find the 'Speed control line'.
 - Detect the voltage of 'Speed control line' by a millimeter.
 - Cut the 'Speed control line' into two lines.
 - Connect 'Speed control lines' with relay's two green lines.

Note:

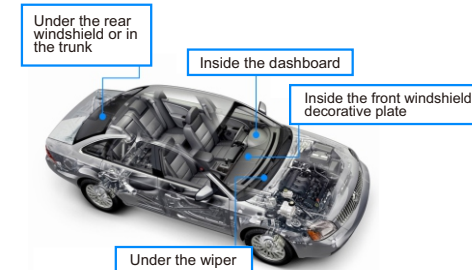
- Please use correct relay, normally, car suit 12V relay, truck suit for 24V relay.
- Open SIM card cover, insert SIM card and turn on battery supply.
- SIM card must have GPRS data and SMS service.
- Please make sure LED lights up and no steel matter covering the device.
- Please fix it by cable ties or tape.

6 Product Installation

Please find someone who are experienced in GPS tracker installation

Installation Precautions :

- Device should be installed in somewhere waterproof and easy be hidden.
- Please turn on the device battery switch before using it.
- Ensure device light in the front and there is no shield before install.
- Secure with a cable tie or sponge double-sided tape.



7 Precautions

GPS Tracker should be installed covertly, please contact the supplier for professional installation advice.

- Hidden installation, avoid water.
- Ensure the LED side facing sky and no metal cover.
- Use cable or 3m tape to fix the device.

8 Working Description

- After connected with vehicle battery, device will be turned on automatically and power indicator light (red) will be long bright.
- If the device is using its own back up battery, the power indicator light (red) will slowly blink after turned on manually.
- GSM signal light (yellow) and GPS signal light(blue) start fast blinking.
- A few seconds later both GSM light and GPS light will be steady and start slow blinking; device enters into normal working status.

9 Trouble Shooting

Problem	Description	Solution
Failed to connect the internet	SIM card not installed	Check the sim card
	Sim card not installed properly	Install again
	No GSM network	Move the device in gsm network area
	Weak GSM network	Move the device in strong GSM network area
Location failed	SIM card has no gprs functions	Contact Sim card supplier to activate the gprs function
	Always reply "failed to get location"	Contact the supplier
No GPS location	Some poor signal areas like basement, tunnels are not able to acquire GPS signals.	Move the device to open sky areas.

10 Access to Platform

- Platform(www.wanwaygps.com)
- Android and IOS APP(Scan the qr code to download app)



There are two methods to login in the platform or app.

- Login by IMEI number(the 15 digits in the back of the device), password: the last 6 digits of imei number.
- Contact the supplier to create an account for you.